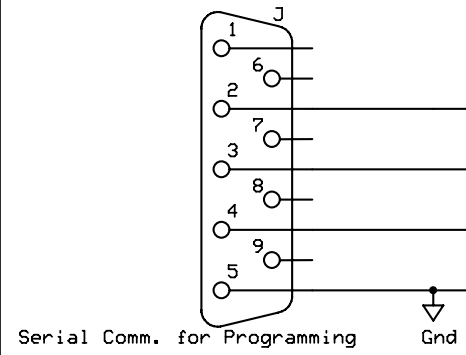
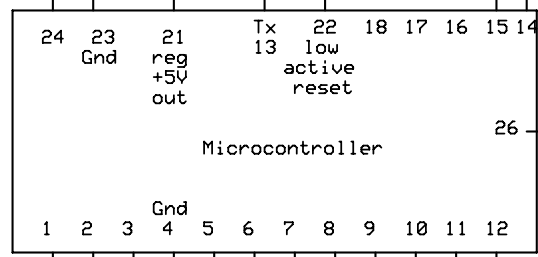
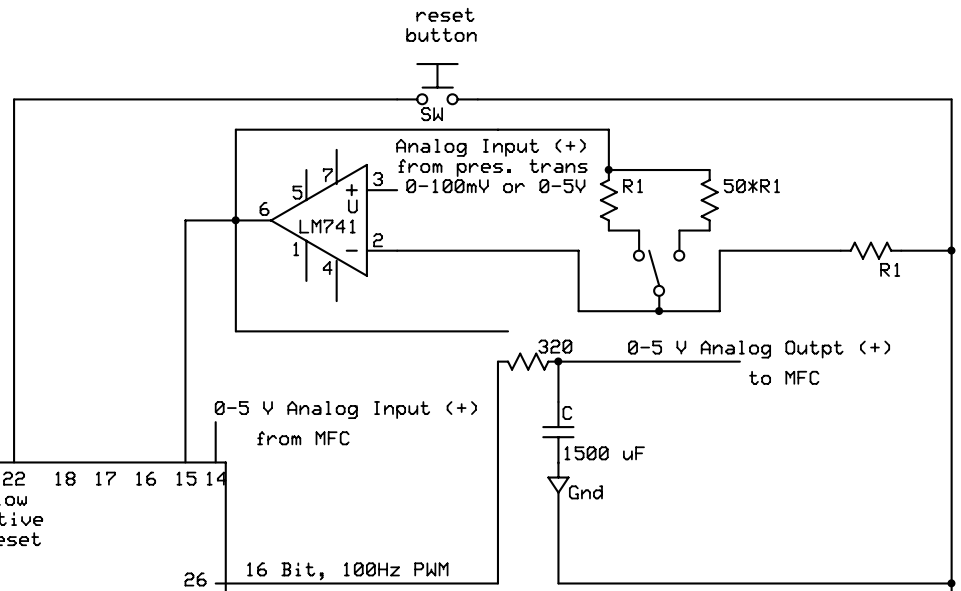
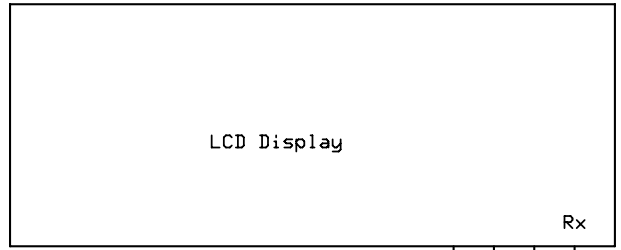
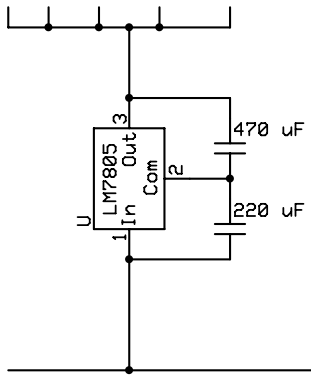


regulated +5V supply for pressure transducers
(to a +5V bus with screw-terminal connections)



Serial Comm. for Programming should be able to connect female db9 to circuit board

